

# SRG-300H/SRG-120DH

Color Video Cameras

**SONY**  
make.believe



**View-DR**

**Exmor™**

Sony is expanding its renowned Pan-Tilt-Zoom camera family with the introduction of its new SRG Series. The SRG-300H and SRG-120DH are the first two PTZ camera models in the SRG line-up. These cameras achieve superb picture quality utilizing Sony's latest imaging technology and 1080/60p resolution, and deliver reliability with field-proven operability.

The SRG-300H is a desktop or ceiling-mountable remote camera with an amazingly high 30x optical zoom capability. The SRG-120DH is a desktop remote camera with a 12x optical zoom and an exceptional 71-degree horizontal viewing angle. These cameras are ideal for a range of applications including lecture capture, telemedicine, remote shooting, and video conferencing applications.

# SRG-300H

Remote Desktop or Ceiling-mountable Camera: 30x Optical Zoom

|                       |             |              |                          |
|-----------------------|-------------|--------------|--------------------------|
| 1/2.8-type Exmor CMOS | 30x Optical | 16 Presets*1 | IP Control               |
| Ceiling-mountable     | 1080/60p    | View-DR      | 1.4 lx Min. Illumination |

### Applications:

With a 30x optical zoom capability (360x with digital zoom), the SRG-300H is ideal for medium to large venues such as stadiums, auditoriums, and large classrooms.



# SRG-120DH

Remote Desktop Camera: 71° Field of View, 12x Optical Zoom

|                       |             |              |                          |
|-----------------------|-------------|--------------|--------------------------|
| 1/2.8-type Exmor CMOS | 12x Optical | 16 Presets*1 | IP Control               |
| 71° Field of View     | 1080/60p    | View-DR      | 1.8 lx Min. Illumination |

### Applications:

The SRG-120DH features an extremely wide field of view (71°) and superb image quality, making it the perfect choice for video conferencing systems, conference rooms, auditoriums, boardrooms, courtrooms, and classrooms.



\*1 Presets x 16 when controlled via VISCA. Presets x 6 when using the supplied IR remote commander.

## Key Features

### Excellent Picture Quality

These SRG cameras incorporate Sony's high-sensitivity 1/2.8-type Exmor™ CMOS sensor and the latest View-DR™ technology. They deliver excellent picture quality in professional remote shooting.

#### View-DR & XDNR™ Technology

View-DR provides an extremely wide dynamic range with Sony's full-capture Wide-D technology, utilizing the Exmor CMOS sensor's high-speed readout capability and Visibility Enhancer (VE) which provides a high level of chrominance and luminance. This achieves up to 130 dB at 29.97 frames per second (fps). XDNR technology reduces noise and provides clear images in both moving and still objects under low light conditions.



View-DR OFF



View-DR ON

\* Simulated images

### 1080/60p

The 1/2.8-type Exmor CMOS sensor achieves superb Full HD (1920 x 1080) picture quality. Furthermore, 60-fps progressive scan technology results in smooth images with reduced blur – ideal for capturing detail in moving objects.



Interlace



Progressive

Timeline

\* Simulated images

### 30x High Power Zoom

The SRG-300H provides up to 30x optical zoom, and 12x digital zoom\*<sup>2</sup>. Therefore, this camera can capture a wide viewing range, and are ideal for large meeting rooms and auditoriums.

\*<sup>2</sup> The SRG-120DH supports 12x optical zoom and 12x digital zoom.



Wide-end



Tele-end

30x Optical Zoom

\* Simulated images

### VISCA-over-IP

These SRG cameras can be controlled via the VISCA™ protocol over IP connections, as well as via RS-232 and RS-422 (SRG-300H only).

### Other Features

#### Wide Field of View

Both cameras provide a wide horizontal field of view. The SRG-300H covers 65° and the SRG-120DH covers 71°.

#### High Sensitivity

Minimum illumination is 1.4 lx with the SRG-300H and 1.8 lx for the SRG-120DH. This superb sensitivity enables image capture in low light environments.

#### Compact and Stylish Body

Their all-in-one compact and lightweight design makes these cameras easy to install in a variety of locations. In addition, the SRG-300H is available in a white housing, making it unobtrusive when ceiling mounted.

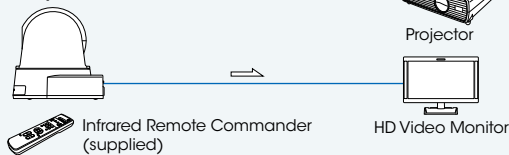
#### Quick and Silent Pan, Tilt, and Zoom

These cameras feature fast and silent pan, tilt, and zoom capabilities. This is ideal for use in noise-restricted environments such as classrooms and meeting rooms.

## System Configuration

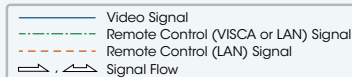
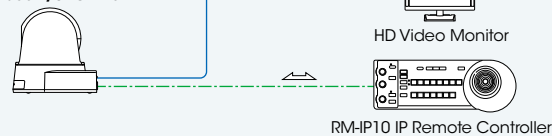
### With Infrared Remote Commander

SRG-300H/SRG-120DH



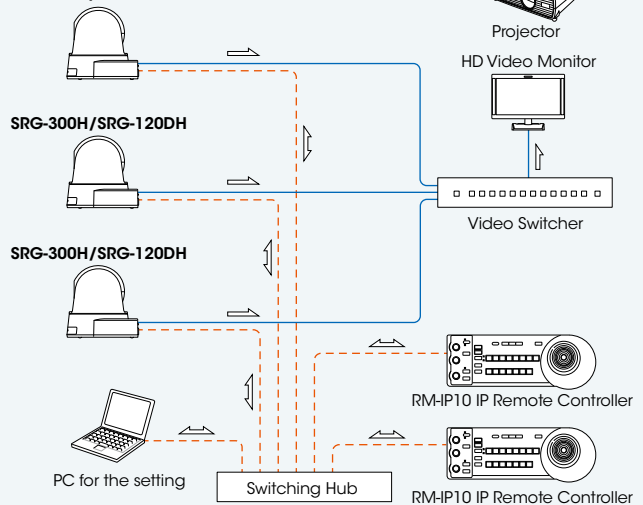
### With the RM-IP10 IP Remote Controller

SRG-300H/SRG-120DH



### With Multiple Remote Controllers and Cameras

SRG-300H/SRG-120DH





## Specifications

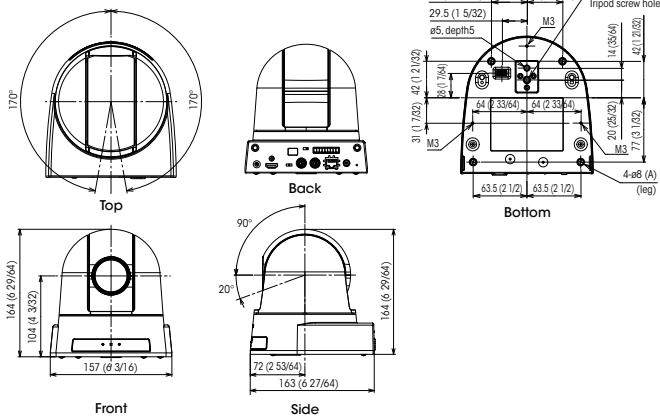
| Camera                                    | SRG-300H  | SRG-120DH   |
|---|---|---|
| Image Sensor                              | 1/2.8 Exmor CMOS  | 1/2.8 Exmor CMOS  |
| Image Sensor (Number of Effective Pixels) | Approx. 2.1 Megapixels  | Approx. 2.1 Megapixels  |
| Signal System                             | 1080/59.94p, 50p, 29.97p, 25p<br>1080/59.94i, 50i<br>720/59.94p, 50p, 29.97p, 25p | 1080/59.94p, 50p, 29.97p, 25p<br>1080/59.94i, 50i<br>720/59.94p, 50p, 29.97p, 25p |
| Minimum Illumination (50IRE)              | 1.4 lx (50IRE, F1.6, 30 fps)  | 1.8 lx (50IRE, F1.8, 30 fps)  |
| S/N Ratio                                 | 50 dB   | 50 dB   |
| Gain                                      | Auto/Manual (0 to +43 dB)   | Auto/Manual (0 to +43 dB)   |
| Shutter Speed                             | 1/1 to 1/10000 sec<br>(59.94 Hz system)<br>1/1 to 1/10000 sec<br>(50 Hz system)   | 1/1 to 1/10000 sec<br>(59.94 Hz system)<br>1/1 to 1/10000 sec<br>(50 Hz system)   |
| Exposure Control                          | Auto, Manual, Priority AE (Shutter, Iris),<br>Exposure compensation, Bright       | Auto, Manual, Priority AE (Shutter, Iris),<br>Exposure compensation, Bright       |
| White Balance                             | Auto, Indoor, Outdoor,<br>One-push auto, ATW, Manual                              | Auto, Indoor, Outdoor,<br>One-push auto, ATW, Manual                              |
| Optical Zoom                              | 30x   | 12x   |
| Digital Zoom                              | 12x   | 12x   |
| Focusing System                           | Auto/Manual   | Auto/Manual   |
| Horizontal Viewing Angle                  | 65 degree (Wide)  | 71 degree (Wide)  |
| Focal Length                              | f=4.3 mm (Wide) to 129 mm (Tele)<br>F1.6 to 4.7                                   | f=3.9 mm (Wide) to 46.8 mm (Tele)<br>F1.8 to 2.0                                  |
| Minimum Object Distance                   | 10 mm (Wide) ~ 1200 mm (Tele)   | 10 mm (Wide) ~ 1500 mm (Tele)   |
| Pan/Tilt Angle                            | Pan: ±170° Tilt: +90°/-20°  | Pan: ±100° Tilt: ±25°   |
| Pan/Tilt Speed (Max.)                     | Pan: 100°/sec Tilt: 90°/sec   | Pan: 300°/sec Tilt: 126°/sec  |
| Preset Position                           | 16*   | 16*   |

\* Presets x 16 when controlled via VISCA. Presets x 6 when using the supplied IR remote commander.

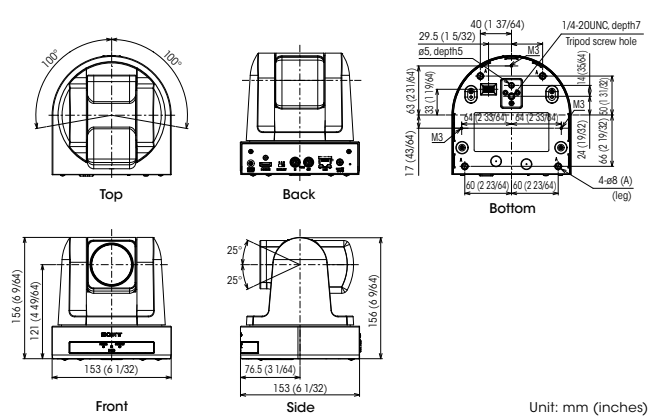
| Camera Features                 | SRG-300H   | SRG-120DH   |
|---------------------------------|--|---|
| Auto ICR                        | Yes  | No  |
| Wide-D                          | Yes  | Yes   |
| Image Stabilizer                | Yes  | No  |
| Image Flip                      | Yes  | No  |
| Auto Power Off                  | No   | No  |
| Night Power Off                 | No   | No  |
| Interface                       |  |   |
| HD Video Output                 | HDMI   | HDMI  |
| SD Video Output                 | -  | -   |
| Camera Control Interface        | RS-232/RS-422/RJ-45  | RS-232/RJ-45  |
| Sync. System                    | INT  | INT   |
| General                         |  |   |
| Power Requirements              | DC 12 V (DC 10.8 ~ 13.2 V)   | DC 12 V (DC 10.8 ~ 13.2 V)  |
| Power Consumption               | 16.8 W   | 16.8 W  |
| Operating Temperature           | 0°C to 40°C (32°F to 104°F)  | 0°C to 40°C (32°F to 104°F)   |
| Storage Temperature             | -20°C to +60°C (-4°F to +140°F)  | -20°C to +60°C (-4°F to +140°F)   |
| Dimensions (W x H x D)          | 157 x 164 x 163 mm<br>(6 1/4 x 6 1/2 x 6 1/2 inches)   | 153 x 156 x 153 mm<br>(6 1/8 x 6 1/4 x 6 1/8 inches)  |
| Mass                            | 1.4 kg (3 lb 1.4 oz)   | 1.45 kg (3 lb 3.1 oz)   |
| Body Color                      | White/Black  | Silver  |
| Wide Conversion Lens Attachable | No   | No  |
| Mountable Angle                 | <±15°  | <±15°   |
| Ceiling Mount                   | Yes  | No  |
| Supplied Accessories            | AC power adaptor (1)<br>AC power cable (1)<br>IR remote commander unit (1)<br>CD-ROM (Operating instructions) (1)<br>RS-422 connector plug (1)<br>Ceiling bracket (2)<br>Wire rope (1)<br>Screw M3x8 (8) | AC power adaptor (1)<br>AC power cable (1)<br>IR remote commander unit (1)<br>CD-ROM (Operating instructions) (1) |

## Dimensions

SRG-300H



SRG-120DH



Unit: mm (inches)

## Peripheral Equipment



### RM-IP10

#### IP Remote Controller

- Comfortable P/T/Z operation with the optical three-axis joystick
- Versatile camera adjustment by simple panel operation
- The use of IP technology allows flexible installation and easy operation

### Distributed by

MK11077V1OHB13OCT

©2013 Sony Corporation. All rights reserved.  
Reproduction in whole or in part without written permission is prohibited.  
Features and specifications are subject to change without notice.

The values for weight and dimension are approximate.  
"SONY", "make.believe", "Exmor", "XDNR", and "View-DR" are registered trademarks of Sony Corporation.  
All other trademarks are the property of their respective owners.